



中国认可
国际互认
检测
TESTING
CNAS L6478



TEST REPORT

Reference No. : WTF17F1093980C

Applicant : Mid Ocean Brands B.V.

Address : Unit 201 2/F., Laford Centre, 838 Lai Chi Kok Road, Cheung Sha Wan,
Kowloon, Hong Kong.

Manufacturer : 111584

Sample Name : 5 Highlighters in container

Model No. : KC2520

Test Requested : 1) Determination of Lead content in the submitted sample in accordance with REACH regulation Annex XVII Entries 63 (EC) No. 1907/2006 and the amendment No. 836/2012 and (EU) 2015/628
2) Determination of Cadmium content in the submitted sample in accordance with REACH regulation Annex XVII Entries 23 (EC) No. 1907/2006 and the amendment No. 552/2009, No. 494/2011, No. 835/2012 and (EU) 2016/217

Test Method : Please refer to next page (s)

Test Conclusion : Please refer to next page (s)

Date of Receipt sample : 2017-10-31

Date of Test : 2017-10-31 to 2017-11-03

Date of Issue : 2017-11-06

Test Result : Please refer to next page (s)

Remarks:

The results shown in this test report refer only to the sample(s) tested, this test report cannot be reproduced, except in full, without prior written permission of the company. The report would be invalid without specific stamp of test institute and the signatures of reporter and reviewer.

Prepared By:

Waltek Services (Foshan) Co., Ltd.

Address: No. 13-19, 2/F, 2nd Building, Sunlink International Machinery City, Chencun Town, Shunde District, Foshan, Guangdong, China

Tel : +86-757-23811398

Fax: +86-757-23811381

Compiled by:

Swing Liang

Swing.Liang /Project Engineer

Approved by:



Dino Zhang

Dino Zhang /Lab Manager

**Test Result:****1) Lead (Pb)**

Test Method: With reference to IEC 62321-5:2013, the analysis was performed by ICP-OES.

Test Item	MDL (mg/kg)	Results (mg/kg)			Limit (mg/kg)
		No.1+No.2+No.3	No.4+No.7+No.8	No.5+No.9+No.13	
Lead(Pb)	2	ND*	ND*	ND*	500
Conclusion	--	Pass	Pass	Pass	--

Test Item	MDL (mg/kg)	Results (mg/kg)			Limit (mg/kg)
		No.6+No.10+No.14	No.11+No.12+No.15	No.16+No.19+No.20	
Lead(Pb)	2	ND*	ND*	ND*	500
Conclusion	--	Pass	Pass	Pass	--

Test Item	MDL (mg/kg)	Results (mg/kg)			Limit (mg/kg)
		No.17+No.21	No.18+No.22	No.23	
Lead(Pb)	2	ND*	ND*	ND	500
Conclusion	--	Pass	Pass	Pass	--

Note:

- (1) mg/kg = milligram per kilogram
- (2) ND = Not Detected (lower than MDL)
- (3) MDL = Method Detection Limit
- (4) Limit of Lead was quoted from REACH regulation Annex XVII Item 63 (EC) No. 1907/2006 and the amendment No. 836/2012 and (EU) 2015/628.
- (5) "*" = As per applicant's requirement, the testing was conducted based on mixed components, the test result is for reference only

2) Cadmium (Cd)

Test Method: With reference to IEC 62321-5:2013, the analysis was performed by ICP-OES.

Test Item	MDL (mg/kg)	Results (mg/kg)	
		No.1+No.2+No.3	No.4+No.7+No.8
Cadmium(Cd)	2	ND*	ND*
Conclusion	--	Pass	Pass

Test Item	MDL (mg/kg)	Results (mg/kg)	
		No.5+No.9+No.13	No.11+No.12+No.15
Cadmium(Cd)	2	ND*	ND*
Conclusion	--	Pass	Pass



Test Item	MDL (mg/kg)	Results (mg/kg)	
		No.16+No.19+No.20	No.17+No.21
Cadmium(Cd)	2	ND*	ND*
Conclusion	--	Pass	Pass

Note:

- (1) mg/kg = milligram per kilogram
- (2) ND = Not Detected (lower than MDL)
- (3) MDL = Method Detection Limit
- (4) Limit of Cadmium according to REACH regulation Annex XVII Item 23 (EC) No. 1907/2006 and the amendment No. 552/2009, No. 494/2011 and No. 835/2012 and (EU) 2016/217.

Category	Limit (mg/kg)
Wet paint	100
Surface coating	1000
Plastic	100
Metal parts of jewellery and hair accessories	100

- (5) "*" = As per applicant's requirement, the testing was conducted based on mixed components, the test result is for reference only

Test Specimen Description:

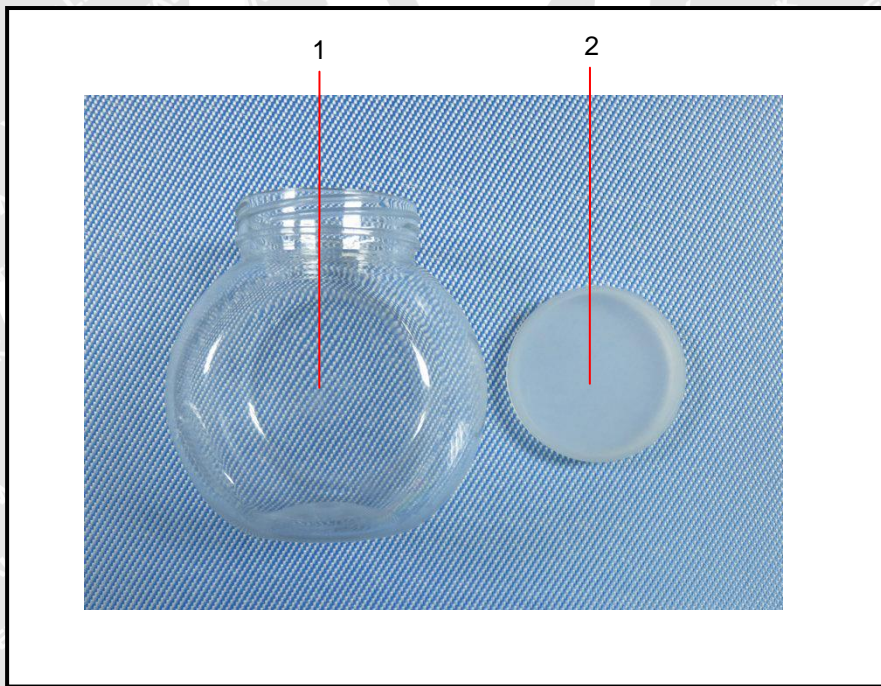
- No.1: Transparent plastic can
- No.2: Semi-transparent plastic lid
- No.3: Pink transparent plastic lid
- No.4: Pink plastic shell
- No.5: Pink plastic clip
- No.6: Pink ink
- No.7: Orange transparent plastic lid
- No.8: Orange plastic shell
- No.9: Orange plastic clip
- No.10: Orange ink
- No.11: Green transparent plastic lid
- No.12: Green plastic shell
- No.13: Green plastic clip
- No.14: Green ink
- No.15: Blue transparent plastic lid
- No.16: Blue plastic shell
- No.17: Blue plastic clip
- No.18: Blue ink
- No.19: Yellow transparent plastic lid
- No.20: Yellow plastic shell
- No.21: Yellow plastic clip
- No.22: Yellow ink
- No.23: White felt without yellow ink

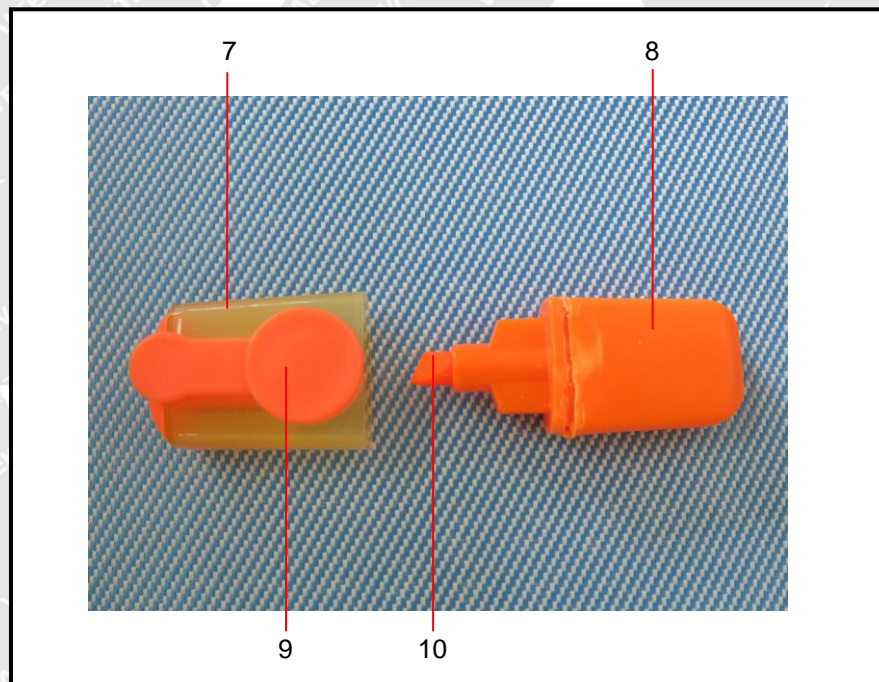
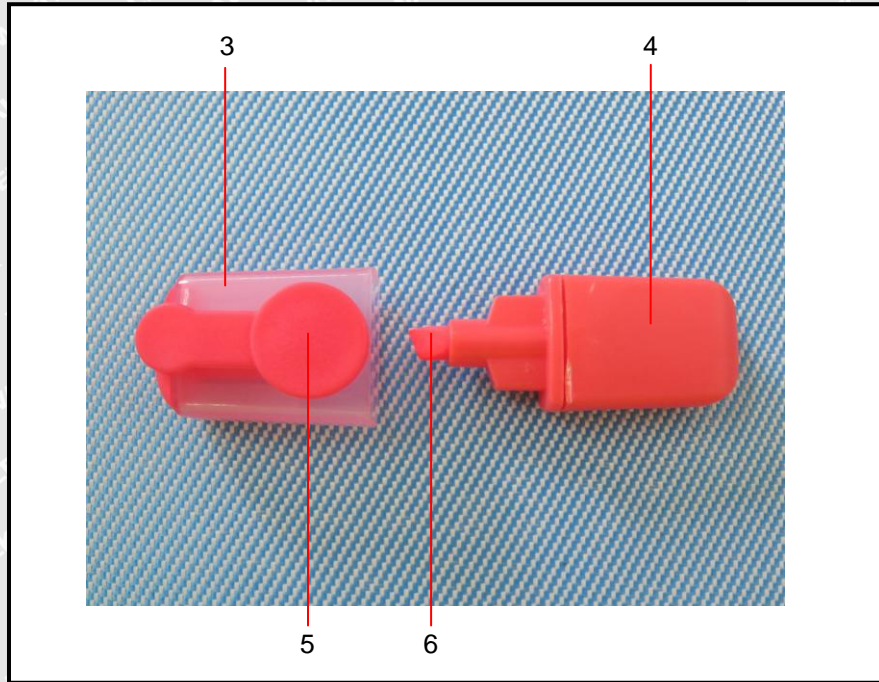


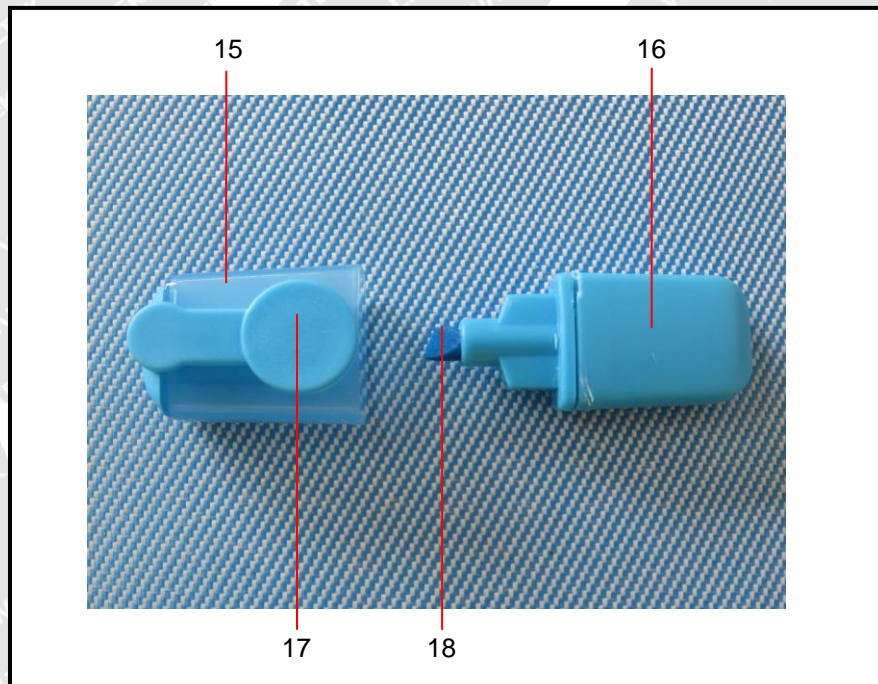
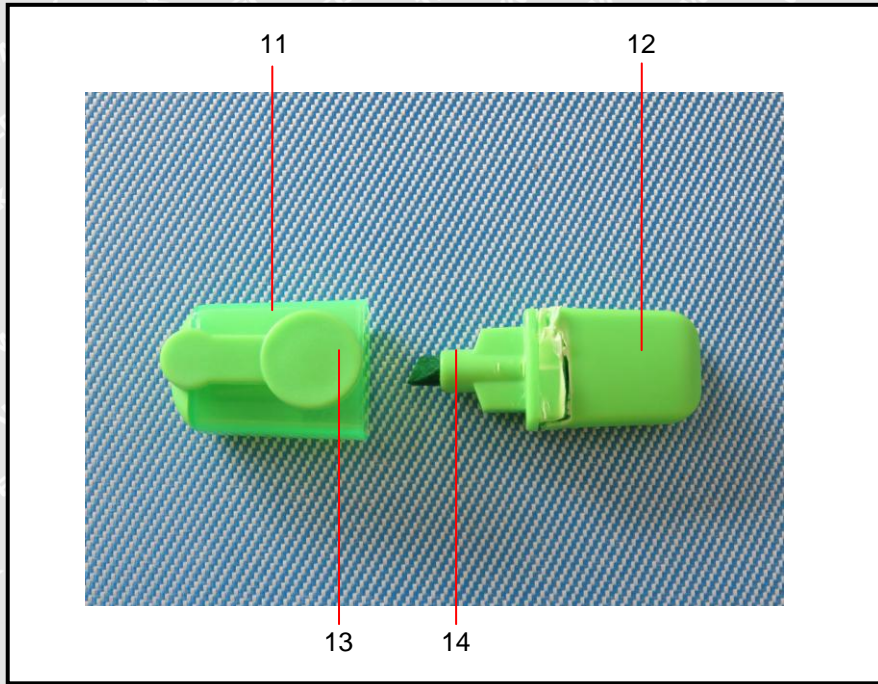
Sample photo:

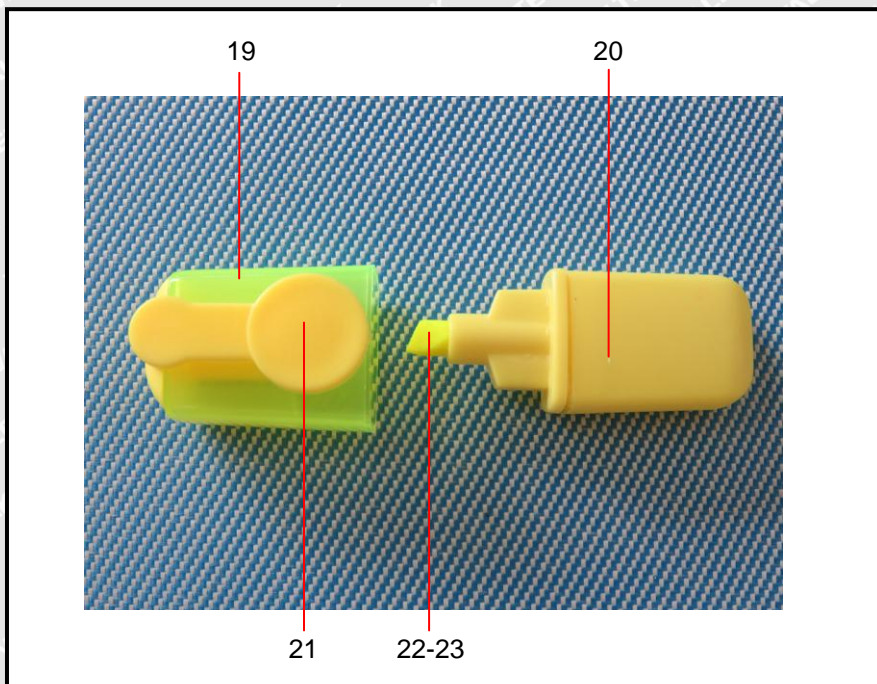


Photographs of parts tested:









==== End of Report ====

WALTEK